

MODEL NUMBER DSW25151

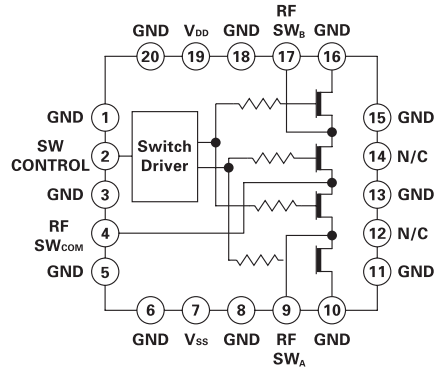
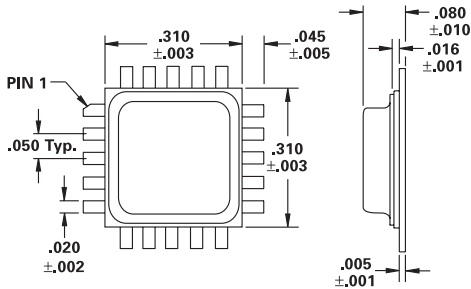
Reflective Switch with Driver

FEATURES

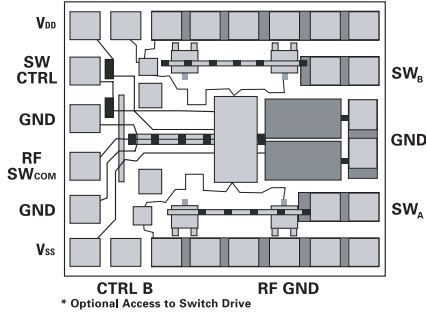
- DC- 10 GHz Broad Bandwidth
- Internal Switch Driver
- Insertion Loss 1.5 dB
- Isolation 45 dB
- Available as die, part # DSW24071D, also available in plastic, part # DSW25251P

SP2T

www.DataSheet4U.com



DIE DIAGRAM (53 X 43 MILS, 7 MILS THICK)
CTRL A RF GND



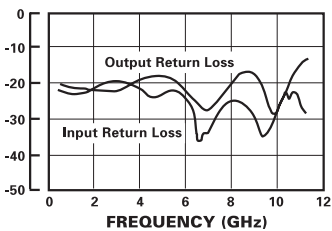
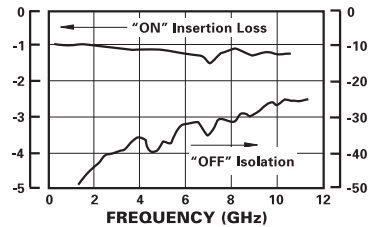
* Optional Access to Switch Drive

PIN FUNCTION

Pin Name	Pin#	Description
SW Control (TTL)	2	Switch Control: TTL logic input
RF SW _{COM}	4	Common RF input; DC-coupled
V _{SS}	7	V _{SS} ; Negative supply voltage
RF SW _A	9	RF input A; DC-coupled, "ON" for a logic LOW applied to SW Control
N/C	12	No Connect
N/C	14	No Connect
RF SW _B	17	RF input B; DC-coupled, "ON" for a logic HIGH applied to SW Control
V _{DD}	19	V _{DD} ; Positive supply voltage
GND	(1)	Ground

Note: (1) GND Pins are 1, 3, 5, 6, 8, 10, 11, 13, 15, 16, 18, 20
AC Coupling may be required for your application

TYPICAL PERFORMANCE at 25°C



ABSOLUTE MAXIMUM RATINGS

Parameter	Min	Typ	Max	Units
DC Power Supply			±7	V
Operating Temperature	-55		+85	°C
Storage Temperature	-55		+150	°C
Power Dissipation			1.0	W

SWITCH LOGIC

SW CTRL	RF SW _A	RF SW _B
Low	On	Off
High	Off	On

ELECTRICAL SPECIFICATIONS

T_A = 25°C, V_{DD} = +5V, V_{SS} = -5V

Parameter	Min ⁽¹⁾	Typ	Max ⁽¹⁾	Units
Frequency of Operation		DC	10	GHz
Insertion Loss		1.5	3.0	dB
Isolation - 1 GHz	40	45		dB
Isolation - 10 GHz	18	25		dB
Input Third - Order Intercept ⁽²⁾		+35		dBm
Input / Output VSWR		2:1		
DC Supply Current @ ±5V		15	20	mA
Positive Supply	4.5	5	5.5	V
Negative Supply	-4.5	-5	-5.5	V
Input Logic Low		1.0		V
Input Logic High		3.0		V

Note: 1. Min / Max Values Listed are Production Tested
2. IP3 Decreases Below 1 GHz



DAICO Industries

310.507.3242 • FAX 310.507.5701 • www.daico.com
www.DataSheet4U.com